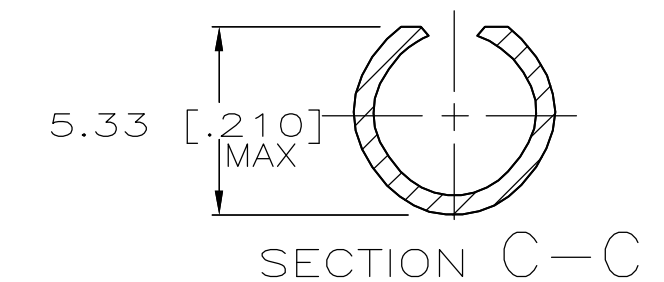
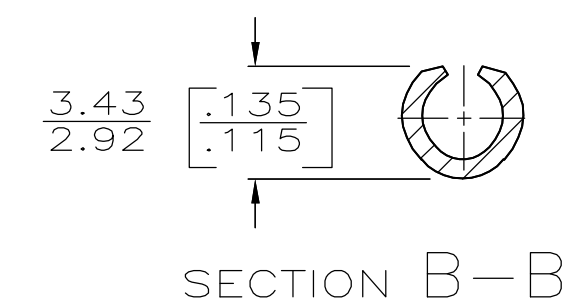
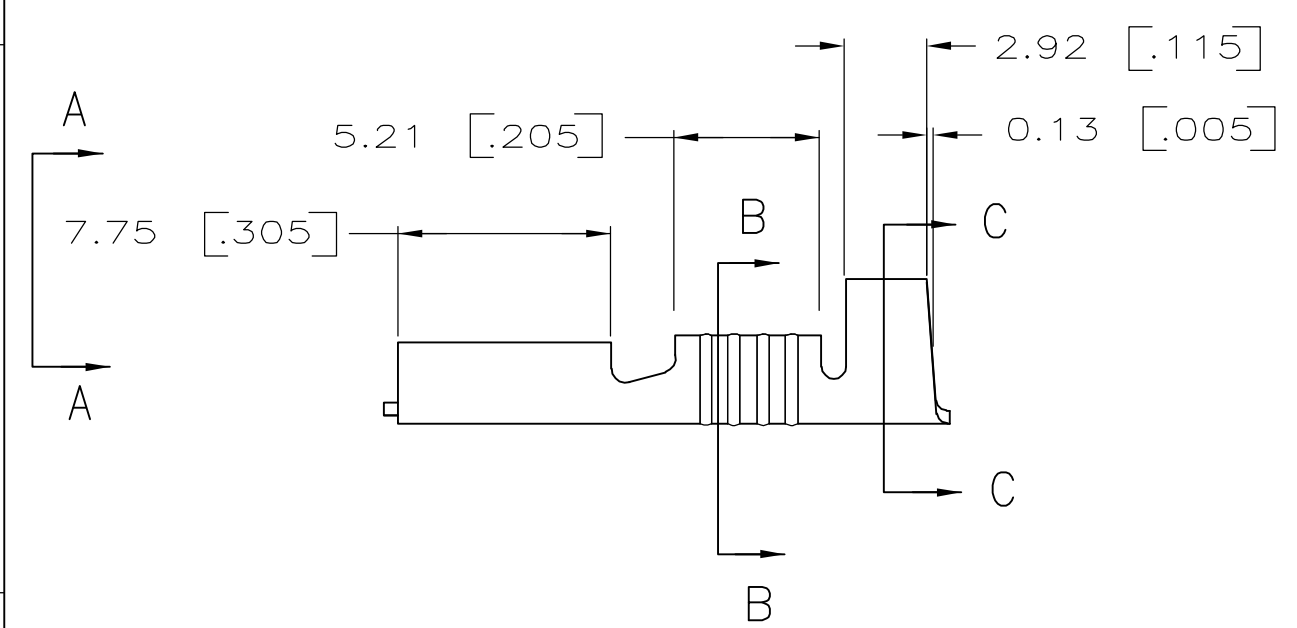
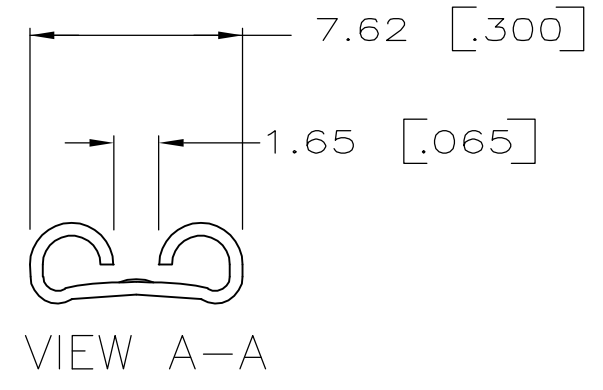
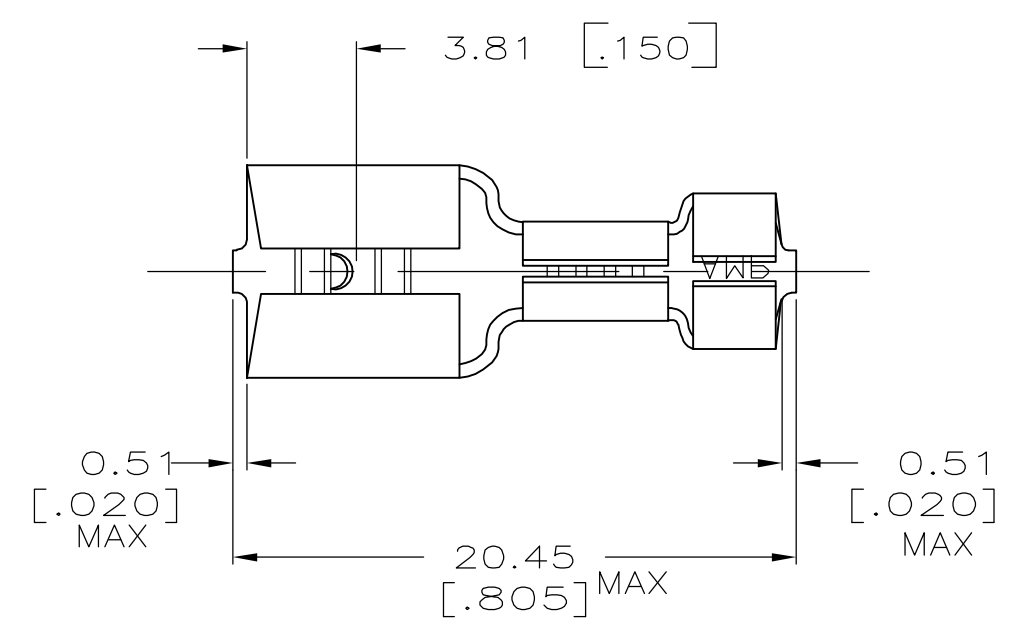


LOC	DIST	REVISIONS					
AF	50	P	LTR	DESCRIPTION	DATE	DWN	APVD
			J2	REV PER ECR-06-024012	14OCT06	HMR	PD



- 1 SUPPLIED IN LOOSE PIECE
- 2 FOREIGN PRODUCTION ONLY.
- 3 MATING TAB THK IS 0.81 ± 0.025 [.032 ± .001].
- 4 WIRE SIZE 0.8–1.3mm² [18–16] AWG.
- 5 INSULATION RANGE IS 3.05–3.68 [.120–.145] DIA.
- △ 6 SPECIAL PACKAGE QTY

-	△ 6	8-41729-1
41274-1	△ 2	41729-2
41274		41729
STRIP		PART NO

THIS DRAWING IS A CONTROLLED DOCUMENT.		DWN	JR RUTH	2/11/91	 Tyco Electronics Corporation Harrisburg, PA 17105-3608
DIMENSIONS: mm [INCHES]		CHK	MS FEHER	2/11/91	
TOLERANCES UNLESS OTHERWISE SPECIFIED:		APVD	C MEYERS	2/11/91	
0 PLC ± - 1 PLC ± - 2 PLC ± 0.25 [.010] 3 PLC ± - 4 PLC ± - ANGLES ± -		PRODUCT SPEC	-	-	
MATERIAL	0.46 [.018] BRASS	FINISH	.000080 MIN TIN	WEIGHT	-
				APPLIC. SPEC	-
				NAME	RECEPTACLE, FASTON, 6.35 [.250] SERIES
				SIZE	A3
				CAGE CODE	000779
				DRAWING NO	C-41729
				RESTRICTED TO	-
CUSTOMER DRAWING				SCALE	4:1
				SHEET	1 OF 1
				REV	J2